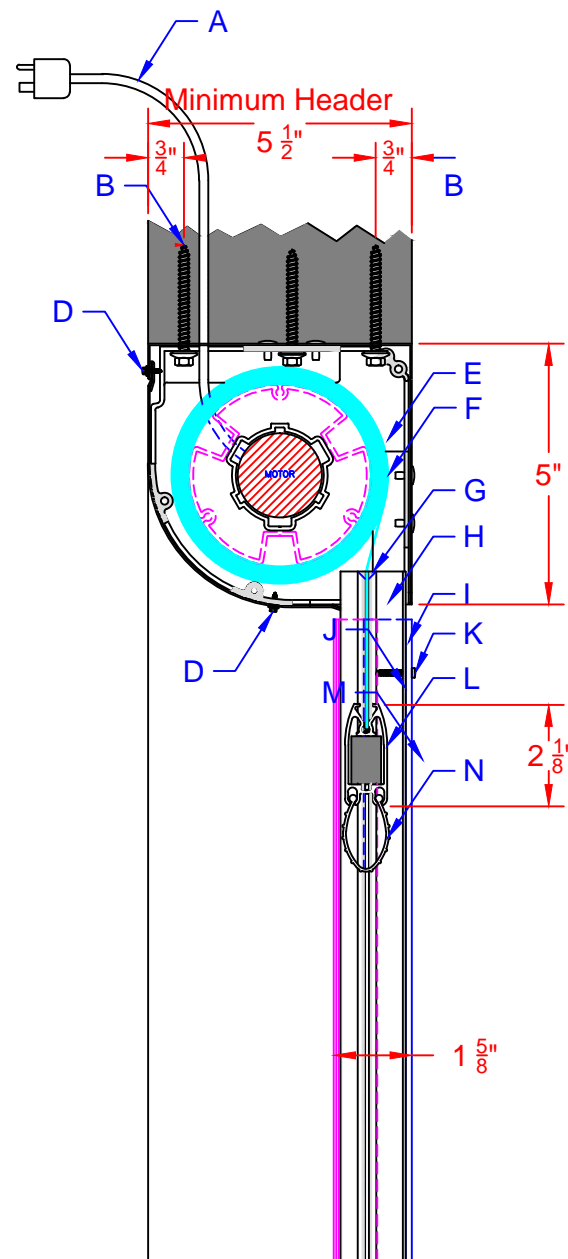


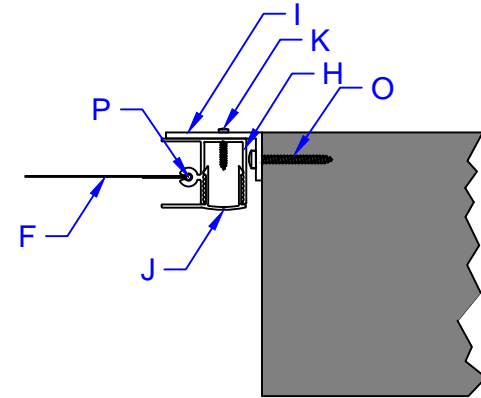
MIRAGE MOTORIZED SCREEN 5 1/2" HOOD

IUH (INSIDE UNDER HEADER)

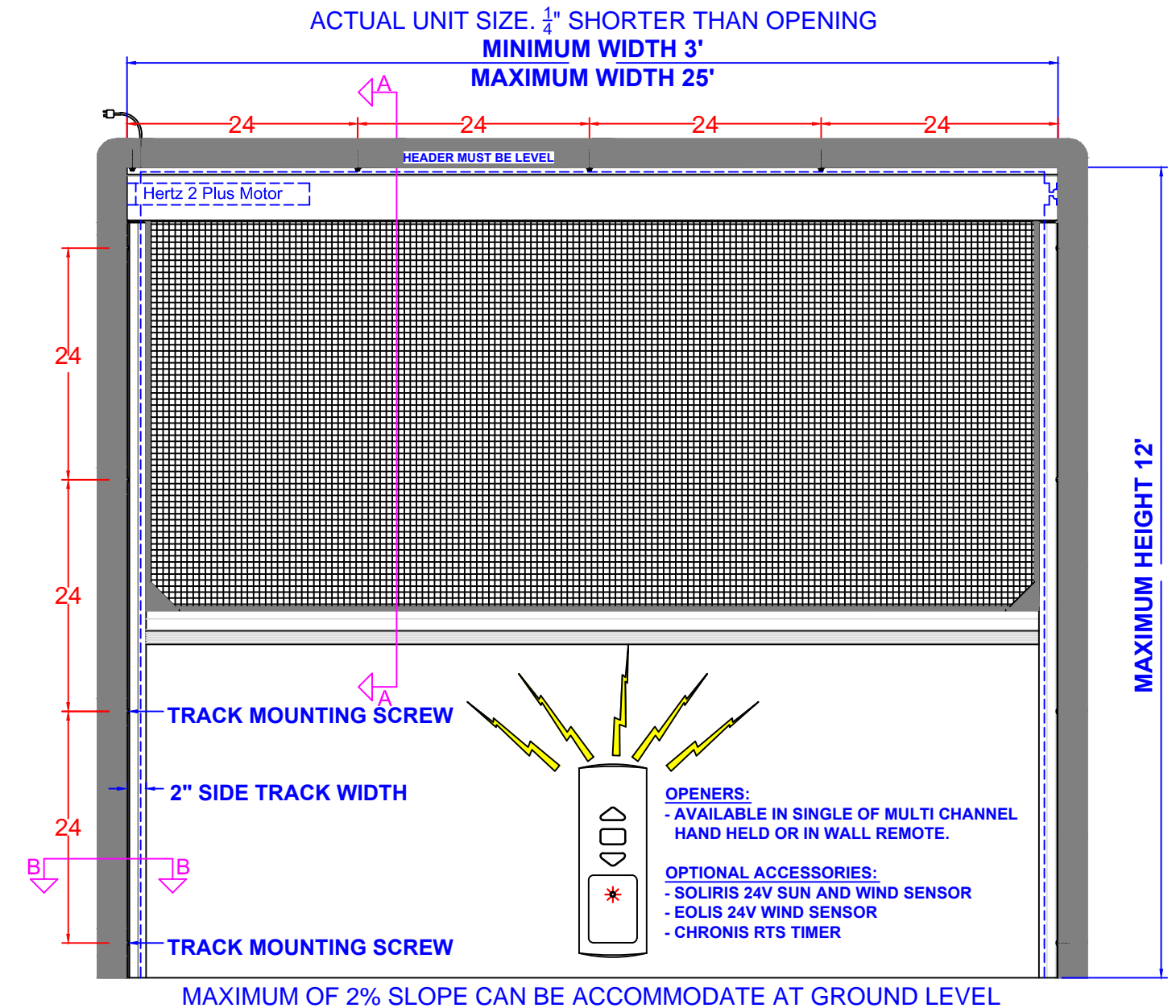
DETAIL AA



DETAIL BB



- A) 110 V, 6' LEAD C/W PLUG, MOTOR & PLUG CAN BE POSITIONED AT EITHER END OF SCREEN UNIT.
- B) DOUBLE INTERMEDIATE SCREWS, 24" SPACING (NOT PROVIDED 2" X #12 PAN OR HEX HEAD)
- C) SINGLE END MOUNTING SCREW, LOCATED BETWEEN RIVETS OF CAST END CAP. SCREWS (NOT PROVIDED) RECOMMEND 2" X #12 PAN OR HEX HEAD
- D) HOOD COVER SCREW (PROVIDED)
- E) CAST END CAP
- F) SCREEN MESH
- G) CHAMFERED ENTRANCE TO SCREEN TRACK
- H) SIDE TRACK
- I) 1" X 2" ANGLE
- J) SIDE TRACK COVER
- K) SIDE TRACK ADJUSTMENT SCREW (PROVIDED)
- L) WEIGHT BAR
- M) PROBE
- N) BOTTOM SEAL
- O) SIDE TRACK MOUNTING SCREW (NOT PROVIDED) RECOMMEND 2" X #12 PAN HEAD
- P) SCREEN RETENTION ZIPPER



NOTE: BUILDING GENERAL CONTRACTOR IS RESPONSIBLE FOR PROVIDING ADEQUATE BACKING IN WALLS AND HEADERS TO AFFIX SCREEN UNITS TO THE BUILDING

Product Line...

PROJECT: **STANDARD SCREEN APPLICATION & DETAILS**
CLIENT: **N/A**

LOCATION: **N/A**

MIRAGE MOTORIZED SCREEN

DRAWN	PS	PROJECT No	YEAR / No
DESIGNED	RDH	CHECKED	RDH
SCALE	NTS	CHECKED	DATE

MOUNTING: INSIDE, UNDER HEADER

1	DATE	ISSUED FOR REVIEW
No	DATE	ISSUED - REVISION

Motorized Screen 5 1/2" Hood

DRAWING No
IUH 5.5 HOOD

SCALE