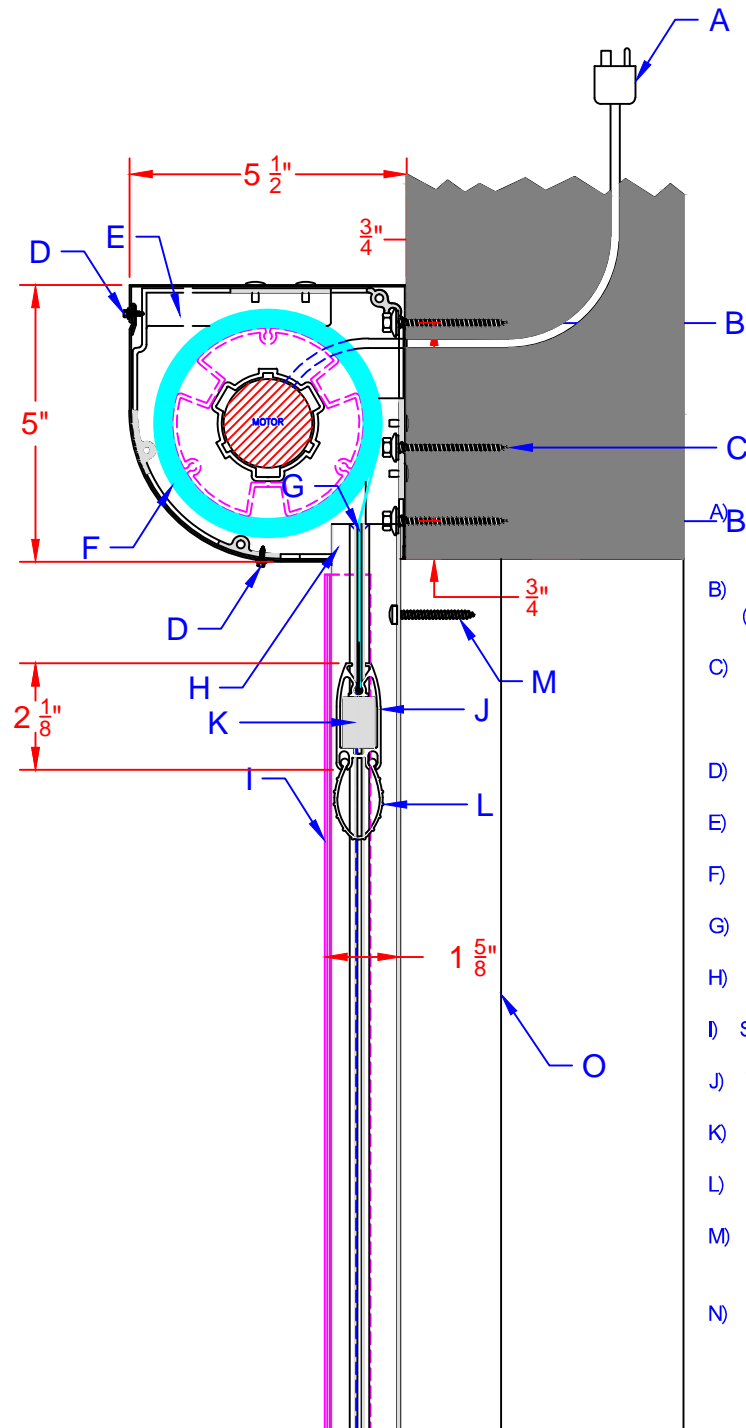
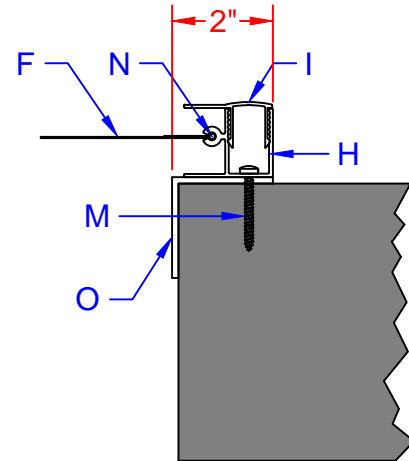


DETAIL AA



DETAIL BB

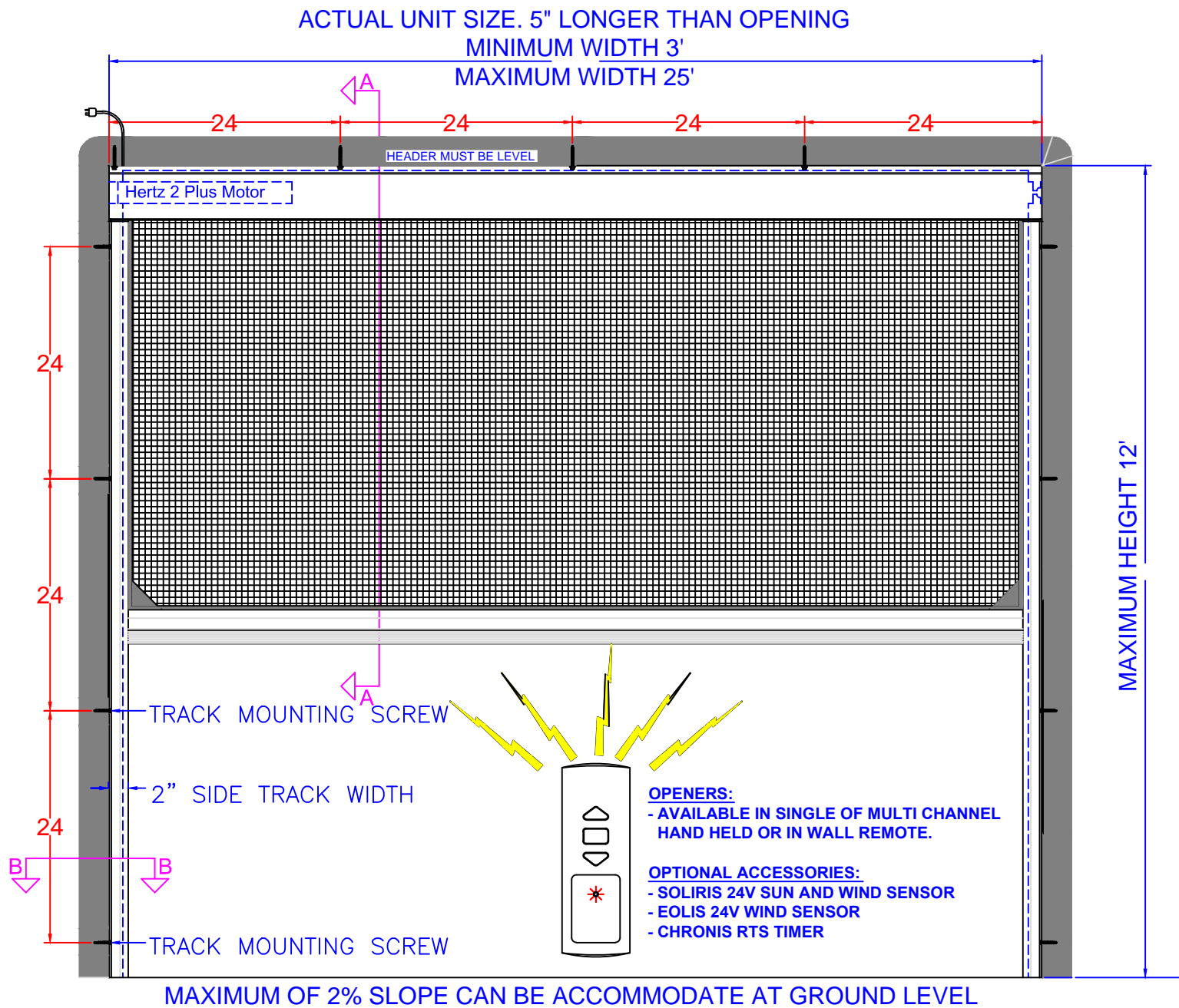


- A) 110 V. 6' LEAD C/W PLUG, MOTOR & PLUG CAN BE POSITIONED AT EITHER END OF SCREEN UNIT.
- B) DOUBLE INTERMEDIATE SCREWS, 24" SPACING (NOT PROVIDED 2" X #12 PAN OR HEX HEAD)
- C) SINGLE END MOUNTING SCREW, LOCATED BETWEEN RIVETS OF CAST END CAP. SCREWS (NOT PROVIDED) RECOMMEND 2" X #12 PAN OR HEX HEAD
- D) HOOD COVER SCREW (PROVIDED)
- E) CAST END CAP
- F) SCREEN MESH
- G) CHAMFERED ENTRANCE TO SCREEN TRACK
- H) SIDE TRACK
- I) SIDE TRACK COVER
- J) WEIGHT BAR
- K) PROBE
- L) BOTTOM SEAL
- M) SIDE TRACK MOUNTING SCREW (NOT PROVIDED) RECOMMEND 2" X #12 PAN HEAD
- N) SCREEN RETENTION ZIPPER

MIRAGE MOTORIZED SCREEN 5 1/2" HOOD

OAH (OUTSIDE ABOVE HEADER)

NOTE: SCREEN UNIT MUST EXTEND PAST THE OPENINGS BY A MINIMUM OF 2 1/2" EACH SIDE.



NOTE: BUILDING GENERAL CONTRACTOR IS RESPONSIBLE FOR PROVIDING ADEQUATE BACKING IN WALLS AND HEADERS TO AFFIX SCREEN UNITS TO THE BUILDING

ALCO
 VENTURES INC.
 turning good houses into Great Homes™
 9747 199A Street, Langley, BC, Canada, V1M 2X7
 Phone: 604-888-7655 info@alcoventures.com
 Fax: 604-888-1718 www.alcoventures.com

Product Line...
 PROJECT:
STANDARD SCREEN
APPLICATION & DETAILS
 CLIENT:
N/A

LOCATION:
N/A

MIRAGE MOTORIZED SCREEN			
DRAWN	PS	PROJECT No	YEAR / No
DESIGNED	PS	CHECKED	N/A
SCALE	NTS	CHECKED	DATE

MOUNTING: OUTSIDE ABOVE HEARDE		
1	DATE	ISSUED FOR REVIEW
No	DATE	ISSUED - REVISION

Motorized Screen 5 1/2" Hood
DRAWING No
OAH 5.5 HOOD