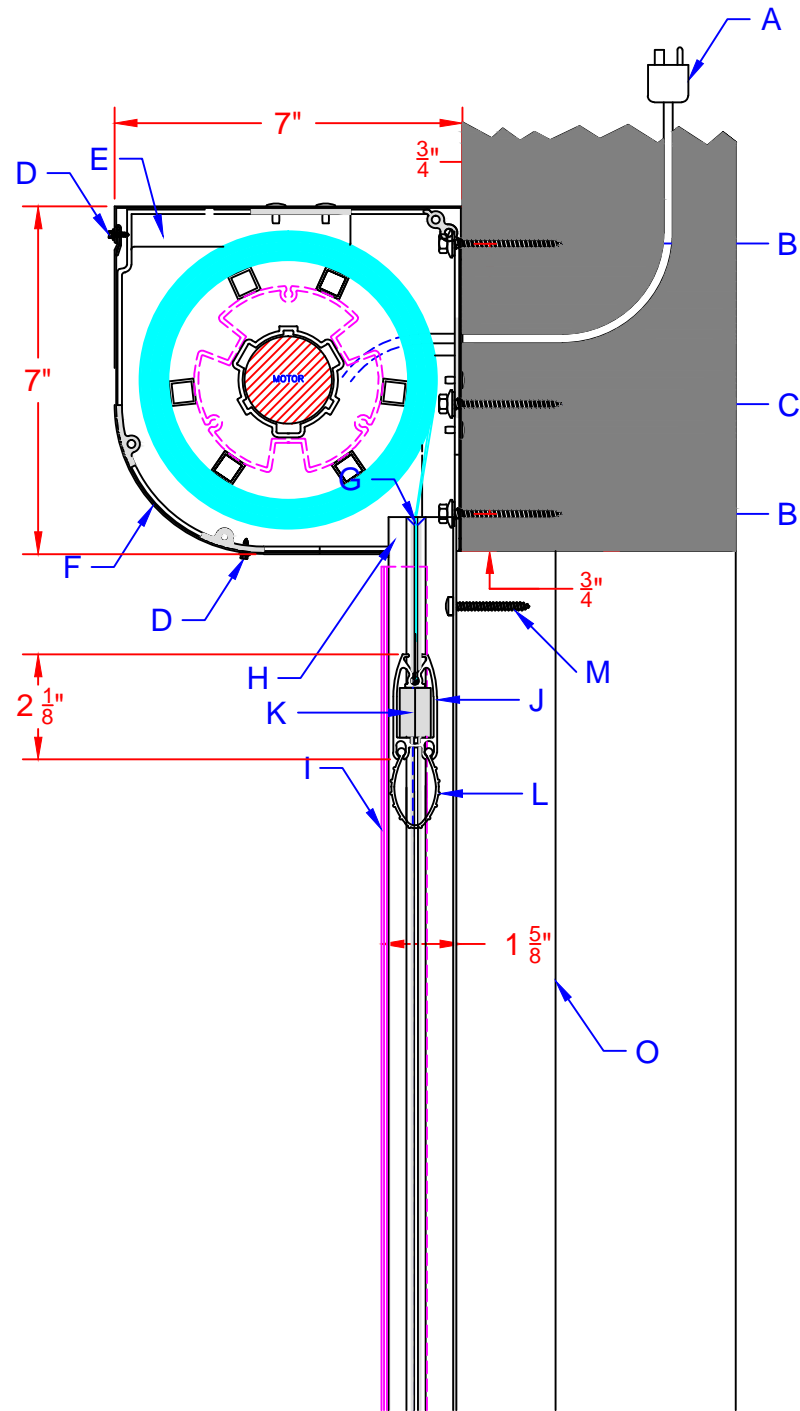
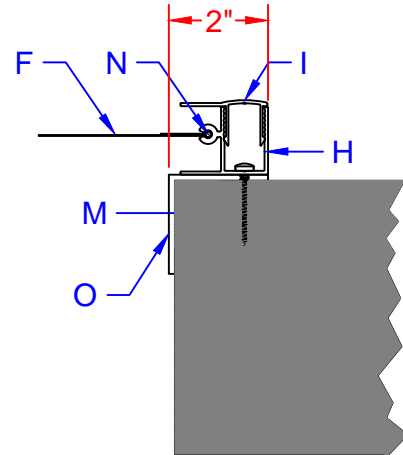


DETAIL AA



DETAIL BB

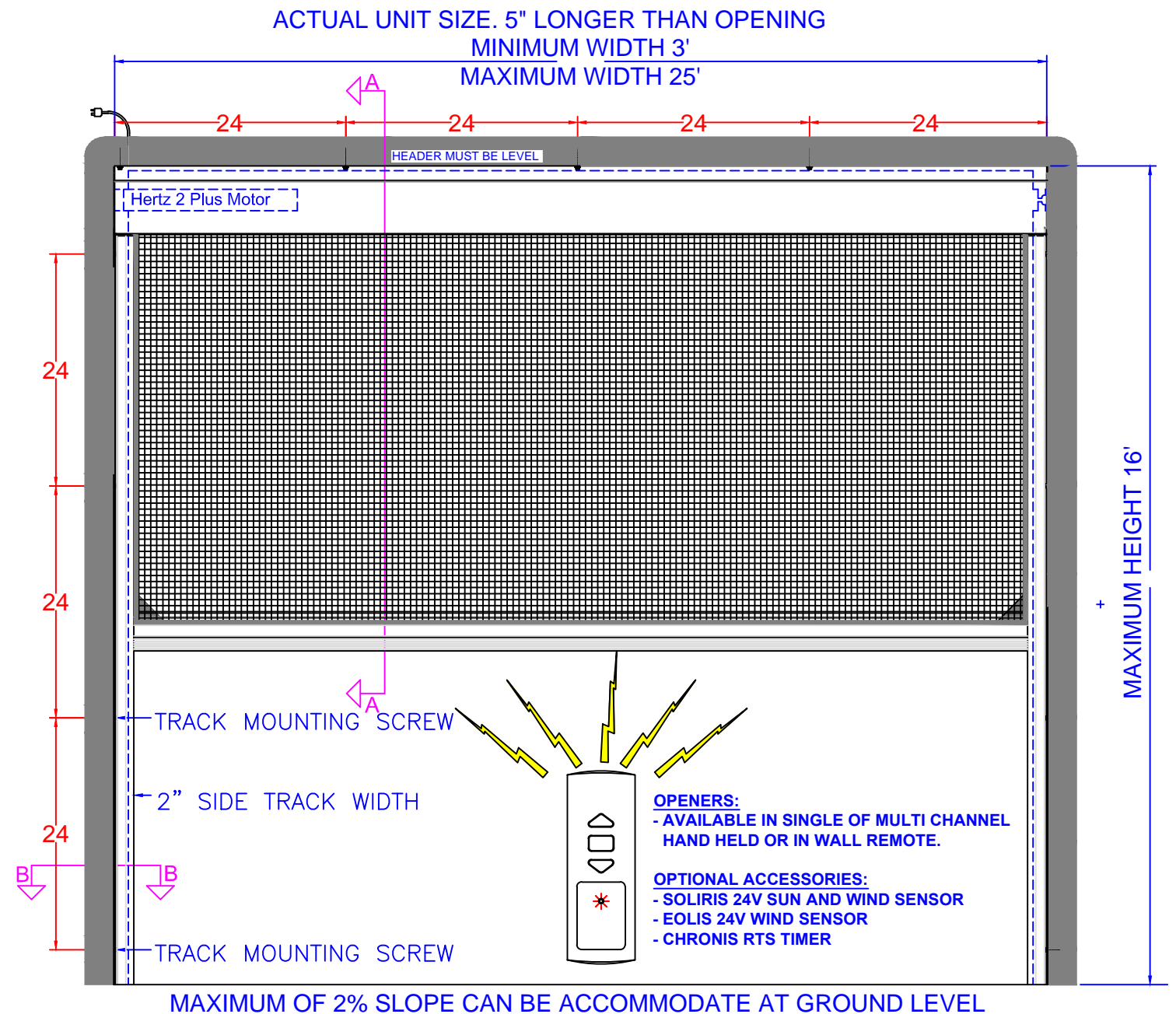


- A) 110 V. 6' LEAD C/W PLUG, MOTOR & PLUG CAN BE POSITIONED AT EITHER END OF SCREEN UNIT.
- B) DOUBLE INTERMEDIATE SCREWS, 24" SPACING (NOT PROVIDED 2" X #12 PAN OR HEX HEAD)
- C) SINGLE END MOUNTING SCREW, LOCATED BETWEEN RIVETS OF CAST END CAP. SCREWS (NOT PROVIDED) RECOMMEND 2" X #12 PAN OR HEX HEAD
- D) HOOD COVER SCREW (PROVIDED)
- E) CAST END CAP
- F) SCREEN MESH
- G) CHAMFERED ENTRANCE TO SCREEN TRACK
- H) SIDE TRACK
- I) SIDE TRACK COVER
- J) WEIGHT BAR
- K) PROBE
- L) BOTTOM SEAL
- M) SIDE TRACK MOUNTING SCREW (NOT PROVIDED) RECOMMEND 2" X #12 PAN HEAD
- N) SCREEN RETENTION ZIPPER

MIRAGE MOTORIZED SCREEN 7" HOOD

OAH (OUTSIDE ABOVE HEADER)

NOTE: SCREEN UNIT MUST EXTEND PAST THE OPENINGS BY A MINIMUM OF 2 1/2" EACH SIDE.



NOTE: BUILDING GENERAL CONTRACTOR IS RESPONSIBLE FOR PROVIDING ADEQUATE BACKING IN WALLS AND HEADERS TO AFFIX SCREEN UNITS TO THE BUILDING

| | | | | | | | | | | |
|---|-----------------|--|-------------------------|--------------------------------|------------|-----------|---------------------------------------|------|-------------------|---------------------------------|
| <p>turning good houses into Great Homes™</p> <p>9747 199A Street, Langley, BC, Canada, V1M 2X7 Phone: 604-888-7655 info@alcoventures.com Fax: 604-888-1718 www.alcoventures.com</p> | Product Line... | PROJECT: STANDARD SCREEN APPLICATION & DETAILS | LOCATION: N/A | MIRAGE MOTORIZED SCREEN | | | MOUNTING: OUTSIDE ABOVE HEARDE | | | Motorized Screen 7" Hood |
| | | CLIENT: N/A | | DRAWN PS | PROJECT No | YEAR / No | 1 | DATE | ISSUED FOR REVIEW | DRAWING No |
| | | | | DESIGNED PS | CHECKED | N/A | No | DATE | ISSUED - REVISION | OAH 7 HOOD |
| | | | | SCALE NTS | CHECKED | DATE | | | | |