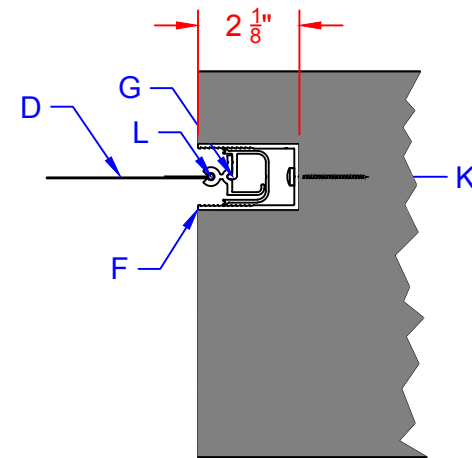
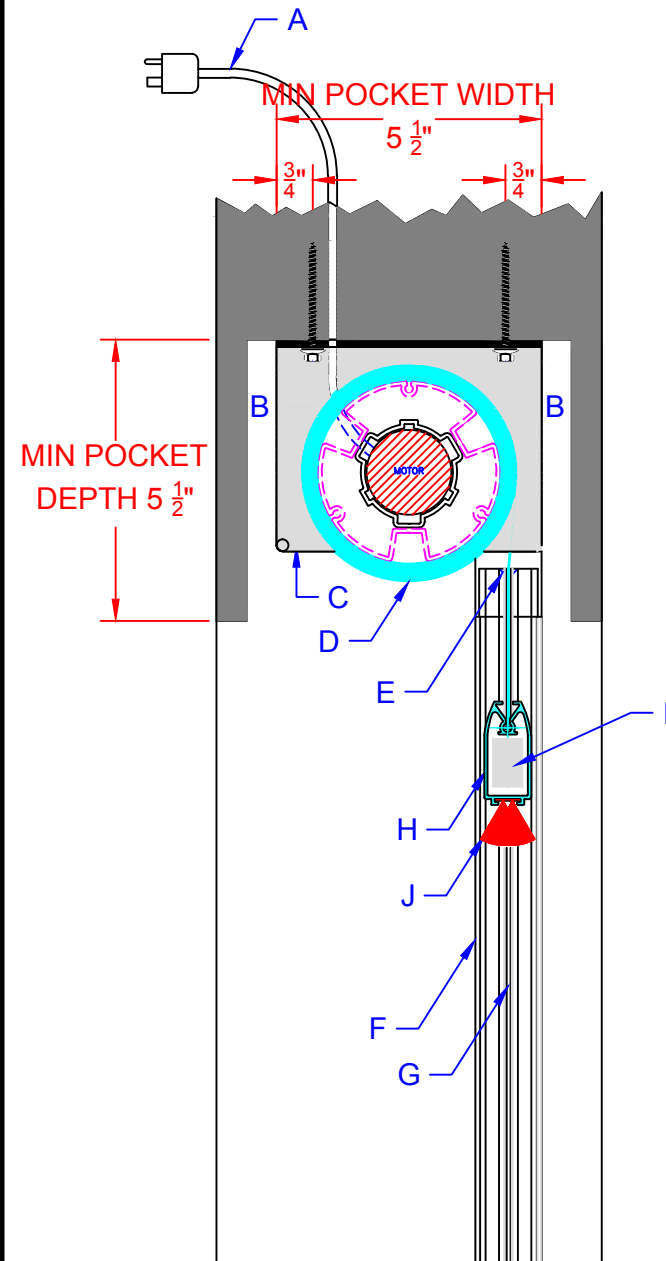


MIRAGE MOTORIZED SCREEN 5 1/2" HOOD

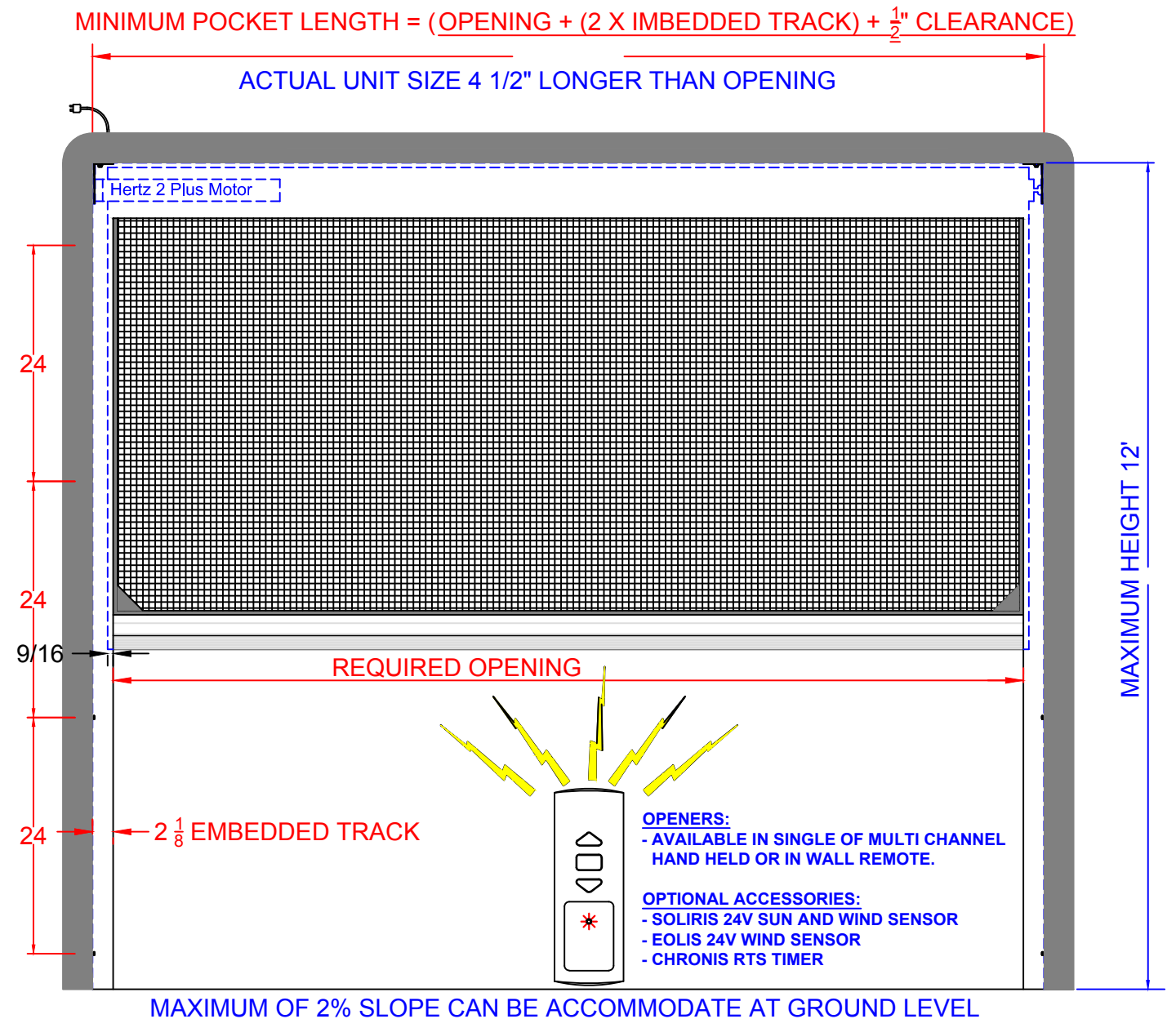
RECESSED ROLLER AND TRACKS

DETAIL AA

DETAIL BB



- A) 110 V. 6' LEAD C/W PLUG, MOTOR & PLUG CAN BE POSITIONED AT EITHER END OF SCREEN UNIT.
- B) (2) END BRACKET MOUNTING SCREWS (NOT PROVIDED 2" X #12 PAN OR HEX HEAD)
- C) END MOUNTING BRACKET
- D) SCREEN MESH
- E) CHAMFERED ENTRANCE TO SCREEN TRACK
- F) RECESSED TRACK HOUSING
- G) RECESSED TRACK ASSEMBLY (ADJUSTABLE WITHIN TRACK HOUSING)
- H) WEIGHT BAR
- I) PROBE
- J) FELT
- K) SIDE TRACK MOUNTING SCREW (NOT PROVIDED) RECOMMEND 2" X #12 PAN HEAD
- L) SCREEN RETENTION ZIPPER



NOTE: BUILDING GENERAL CONTRACTOR IS RESPONSIBLE FOR PROVIDING ADEQUATE BACKING IN WALLS AND HEADERS TO AFFIX SCREEN UNITS TO THE BUILDING

ALCO VENTURES INC.
turning good houses into Great Homes™
9747 199A Street, Langley, BC, Canada, V1M 2X7
Phone: 604-888-7655 info@alcoventures.com
Fax: 604-888-1718 www.alcoventures.com

Mirage
Motorized Screen Systems

PROJECT:
STANDARD SCREEN APPLICATION & DETAILS
CLIENT:
N/A

LOCATION:
N/A

MIRAGE MOTORIZED SCREEN

DRAWN	PS	PROJECT No	YEAR / No
DESIGNED	PS	CHECKED	N/A
SCALE	NTS	CHECKED	DATE

MOUNTING: RECESSED ROLLER & TRACK

1	DATE	ISSUED FOR REVIEW
No	DATE	ISSUED - REVISION

Motorized Screen 5 1/2" Hood

DRAWING No
RECESSED 5.5

SEAL