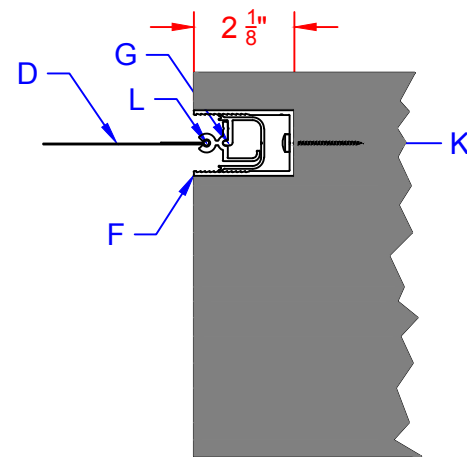
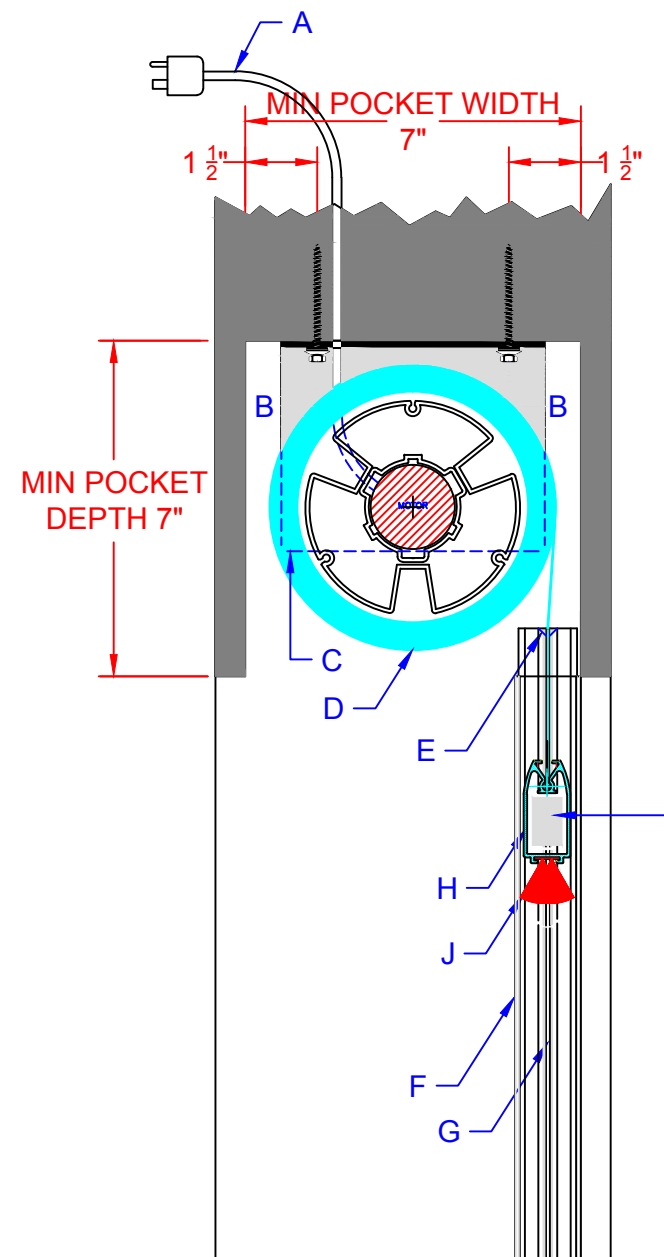


# MIRAGE MOTORIZED SCREEN 7" HOOD

## RECESSED ROLLER AND TRACKS

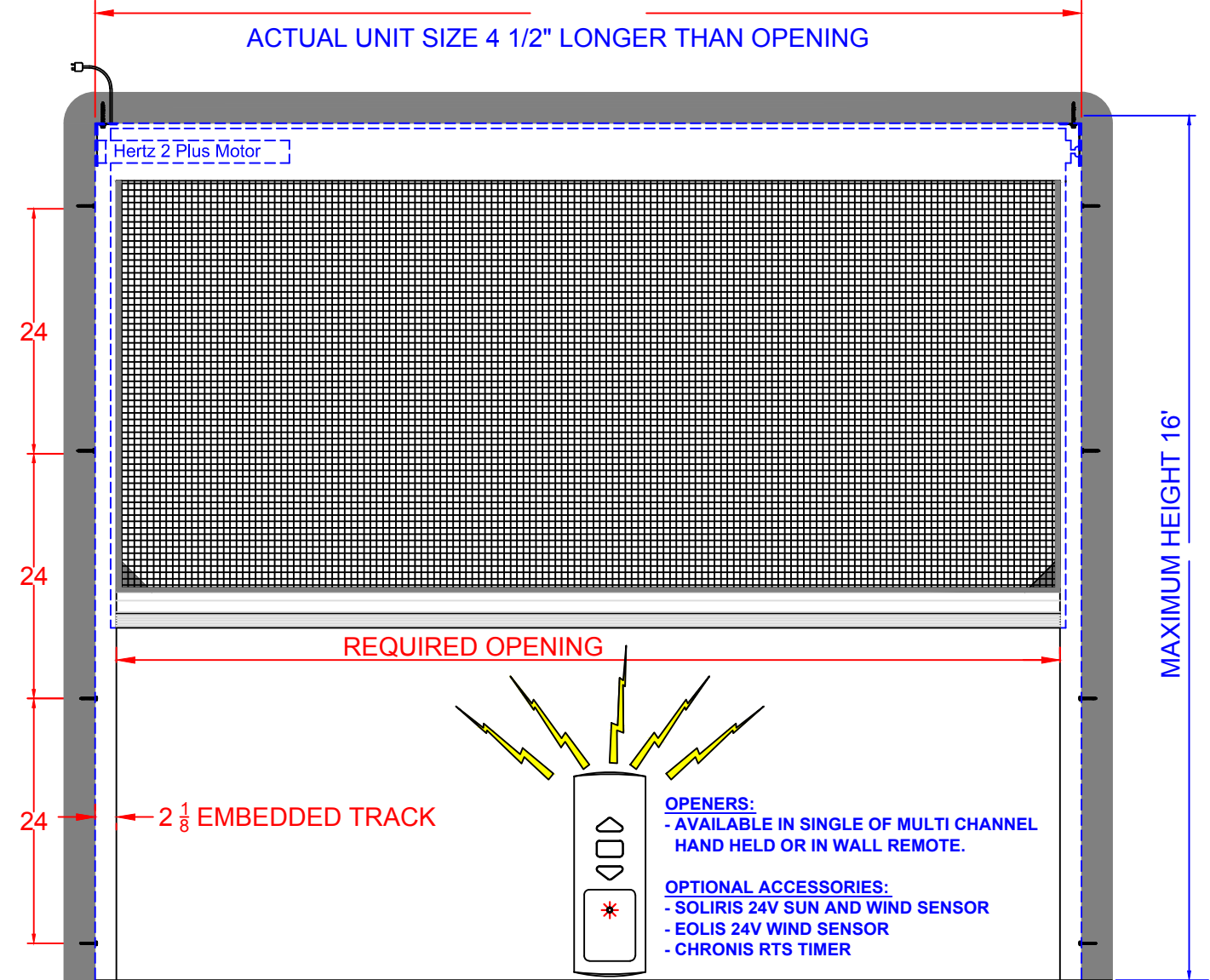
### DETAIL AA

### DETAIL BB

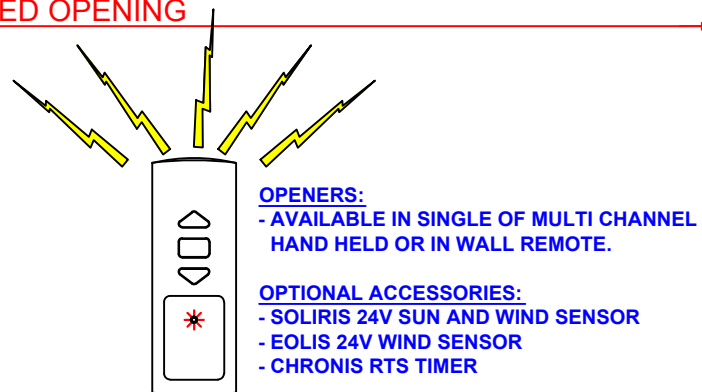


- A) 110 V. 6' LEAD C/W PLUG, MOTOR & PLUG CAN BE POSITIONED AT EITHER END OF SCREEN UNIT.
- B) (2) END BRACKET MOUNTING SCREWS (NOT PROVIDED 2" X #12 PAN OR HEX HEAD)
- C) END MOUNTING BRACKET
- D) SCREEN MESH
- E) CHAMFERED ENTRANCE TO SCREEN TRACK
- F) RECESSED TRACK HOUSING
- G) RECESSED TRACK ASSEMBLY (ADJUSTABLE WITHIN TRACK HOUSING)
- H) WEIGHT BAR
- I) PROBE
- J) FELT
- K) SIDE TRACK MOUNTING SCREW (NOT PROVIDED) RECOMMEND 2" X #12 PAN HEAD
- L) SCREEN RETENTION ZIPPER

MINIMUM POCKET LENGTH = (OPENING + (2 X IMBEDDED TRACK) + 1/2" CLEARANCE)



MAXIMUM OF 2% SLOPE CAN BE ACCOMMODATE AT GROUND LEVEL



NOTE: BUILDING GENERAL CONTRACTOR IS RESPONSIBLE FOR PROVIDING ADEQUATE BACKING IN WALLS AND HEADERS TO AFFIX SCREEN UNITS TO THE BUILDING

<p>turning good houses into Great Homes™                  9747 199A Street, Langley, BC, Canada, V1M 2X7                  Phone: 604-888-7655 info@alcoventures.com                  Fax: 604-888-1718 www.alcoventures.com</p>		PROJECT:	LOCATION:	MIRAGE MOTORIZED SCREEN		MOUNTING:		Motorized Screen
		STANDARD SCREEN APPLICATION & DETAILS	N/A	SCREEN		RECESSED ROLLER & TRACK		7" Hood
		CLIENT:		DRAWN PS	PROJECT No	YEAR / No	1	DATE
N/A		DESIGNED PS	CHECKED	N/A	No	DATE	ISSUED - REVISION	RECESSED 7
		SCALE NTS	CHECKED	DATE				