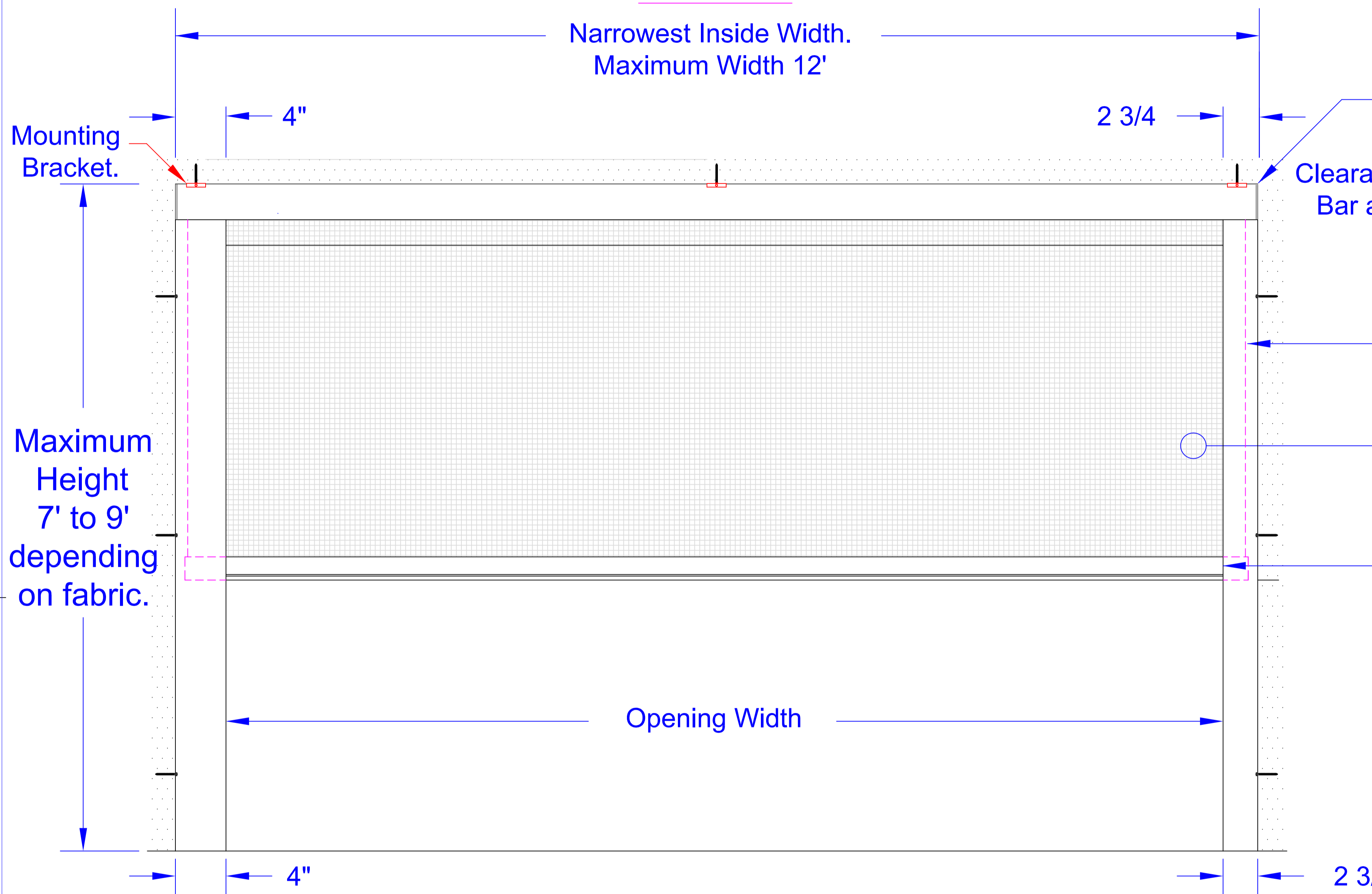


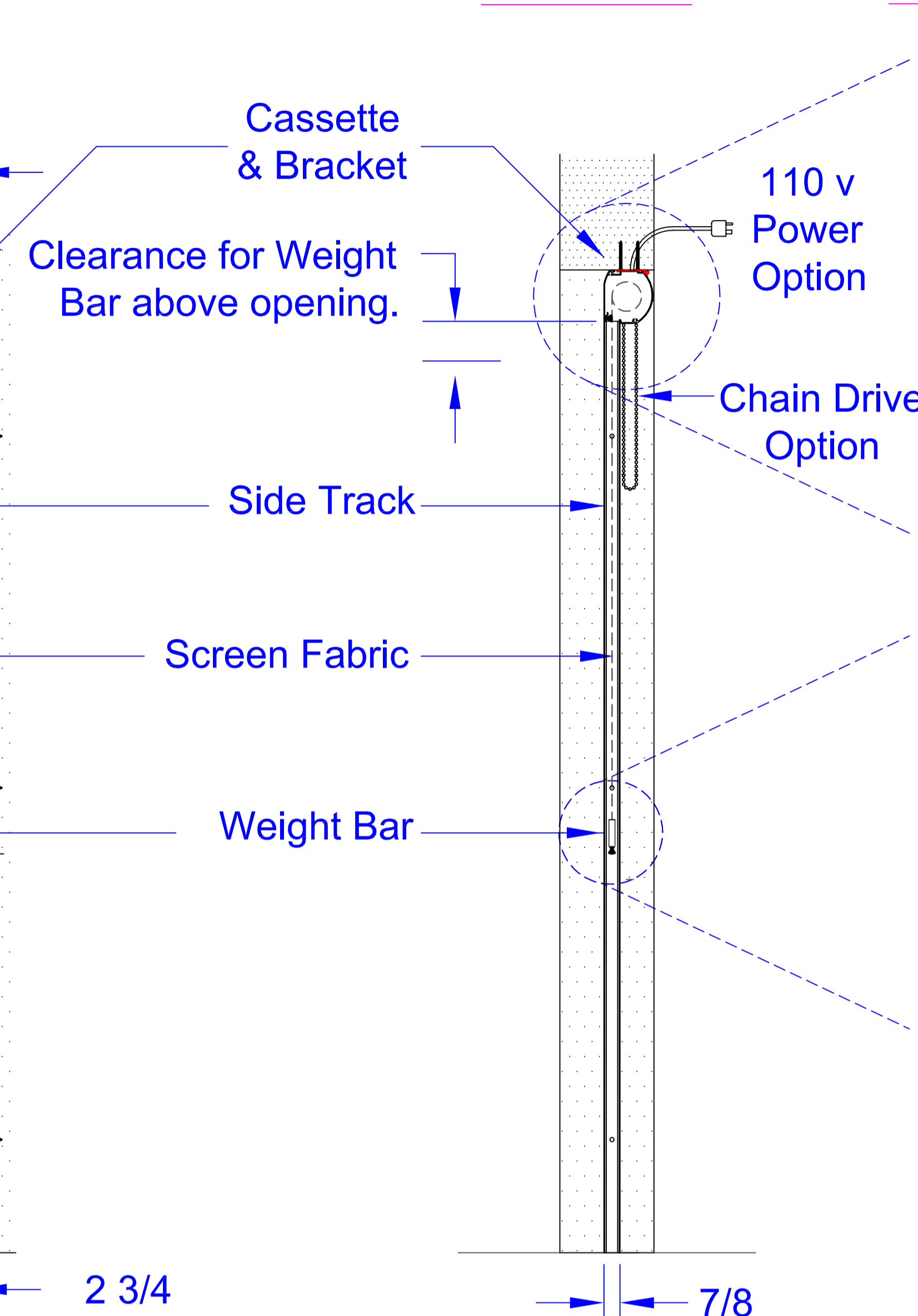
# Horizon 2800 Installation Specification

Inside Mount , Under Header, Standard Side Tracks

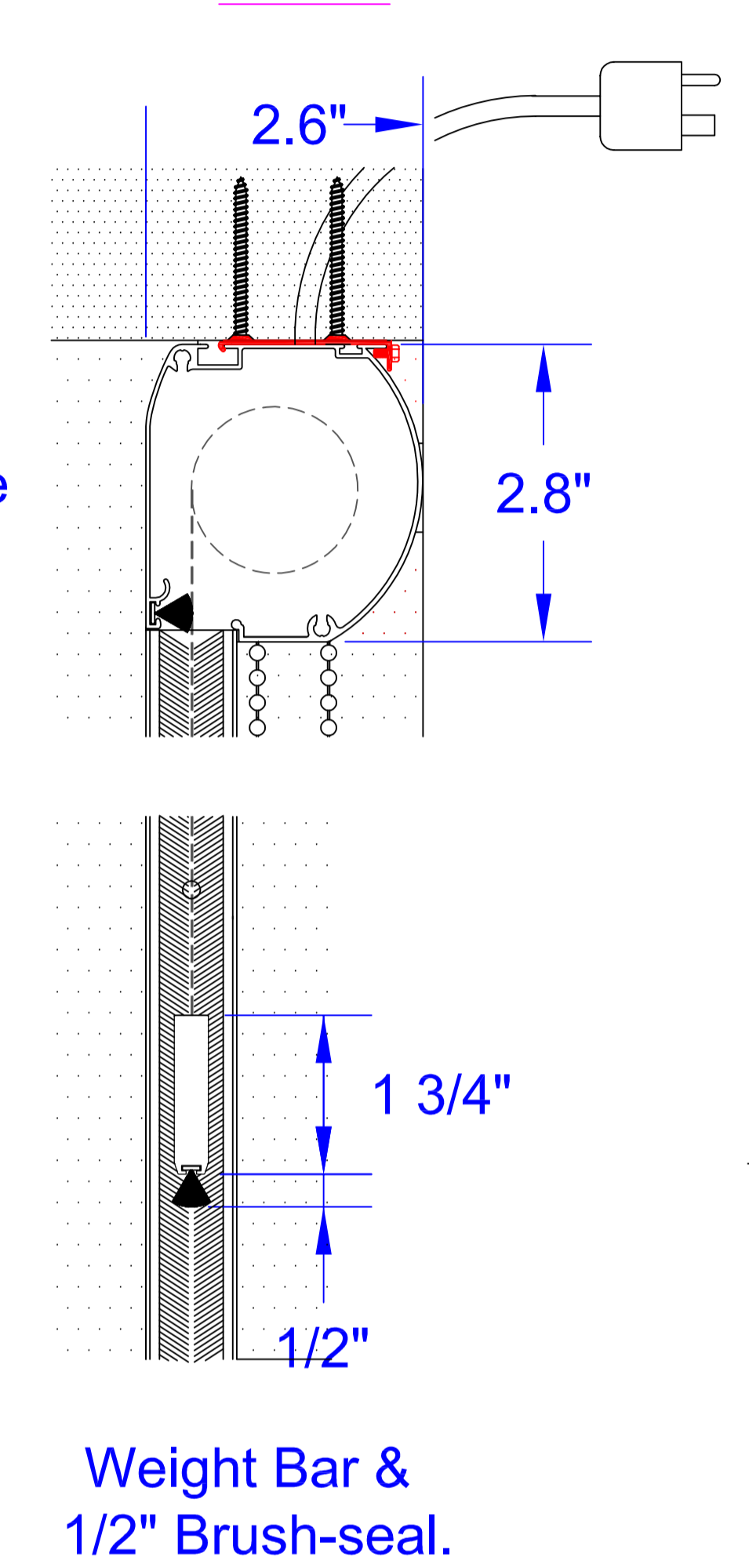
**Front View**



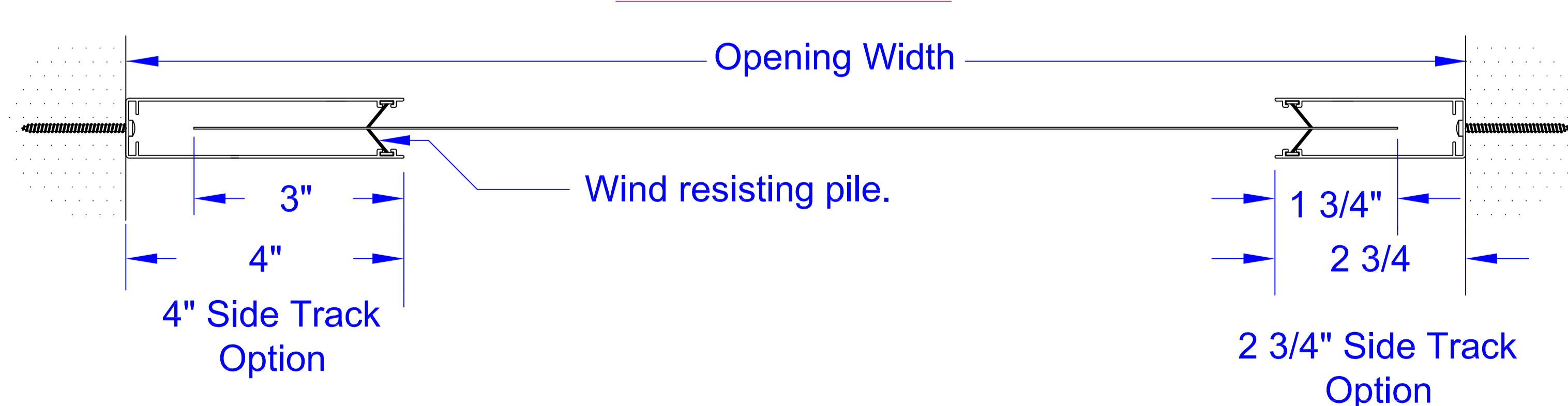
**Side View**



**Cassette & Weight Bar Detail**



**Side Track Detail**



**Operators**



- \* Manual chain, located on right or left hand end of cassette.
- (or)
- \* 110 v Motor, located on right or left hand end of cassette. controlled by either a single or multi-channel hand-held remote.

|                                      |            |                    |              |  |         |                       |  |
|--------------------------------------|------------|--------------------|--------------|--|---------|-----------------------|--|
| <b>Mirage</b><br>Screen Systems Inc. |            | Itemref            | Quantity     | Title/Name, designation, material, dimension etc |         | Article No./Reference |  |
| Designed by                          | Checked by | Approved by - date | Filename     | Date   | Scale   |                       |  |
| Peter Siemens                        | PS         | PS - 15/12/2014    | H2800 Inside | 09/12/2014                                       | 1:1     |                       |  |
| Mirage Screen Systems                |            |                    |              | H2800 Inside Mount                               |         |                       |  |
|                                      |            |                    |              | H2800-I  | Edition | Sheet                 |  |
|                                      |            |                    |              | 1  | 1/1     |                       |  |