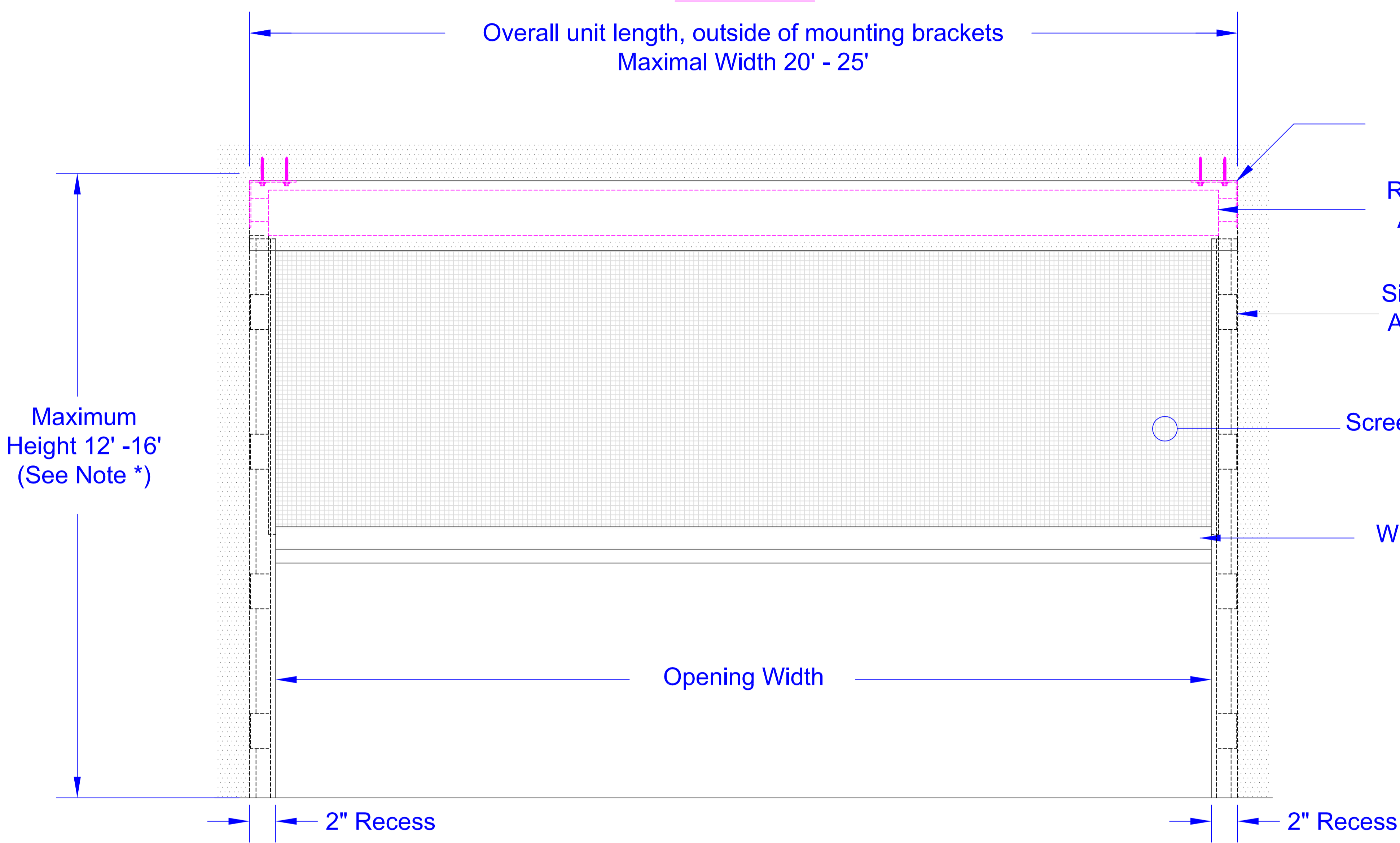


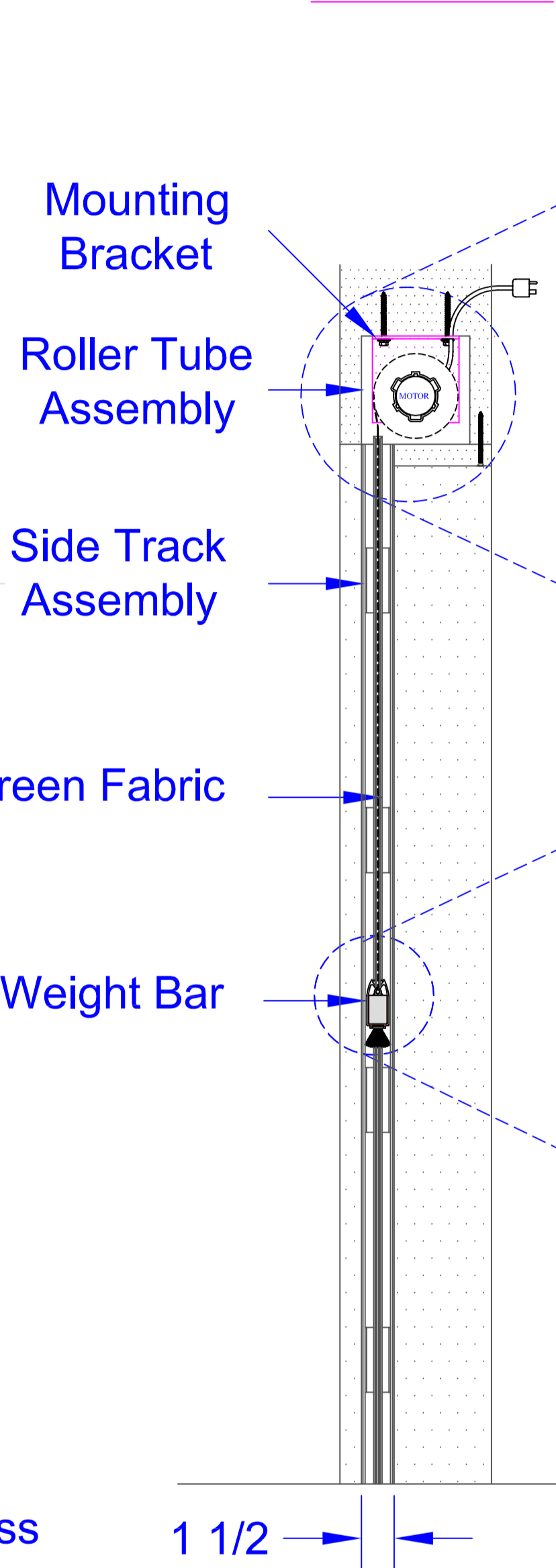
Horizon Recessed Installation Specification

Recessed Mount , Under Header, Recessed Tracks

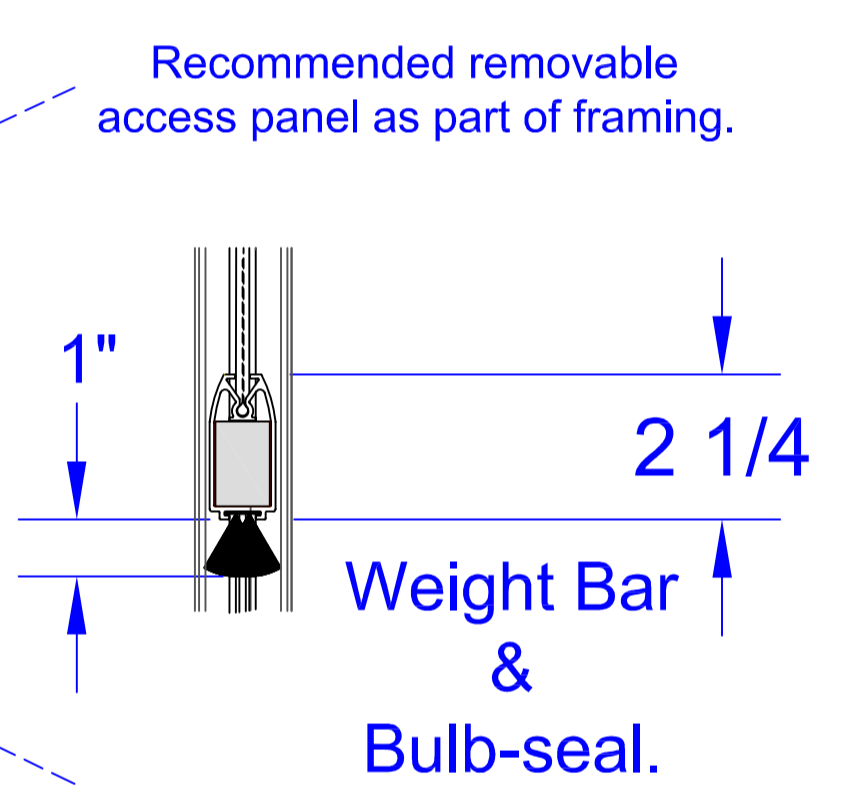
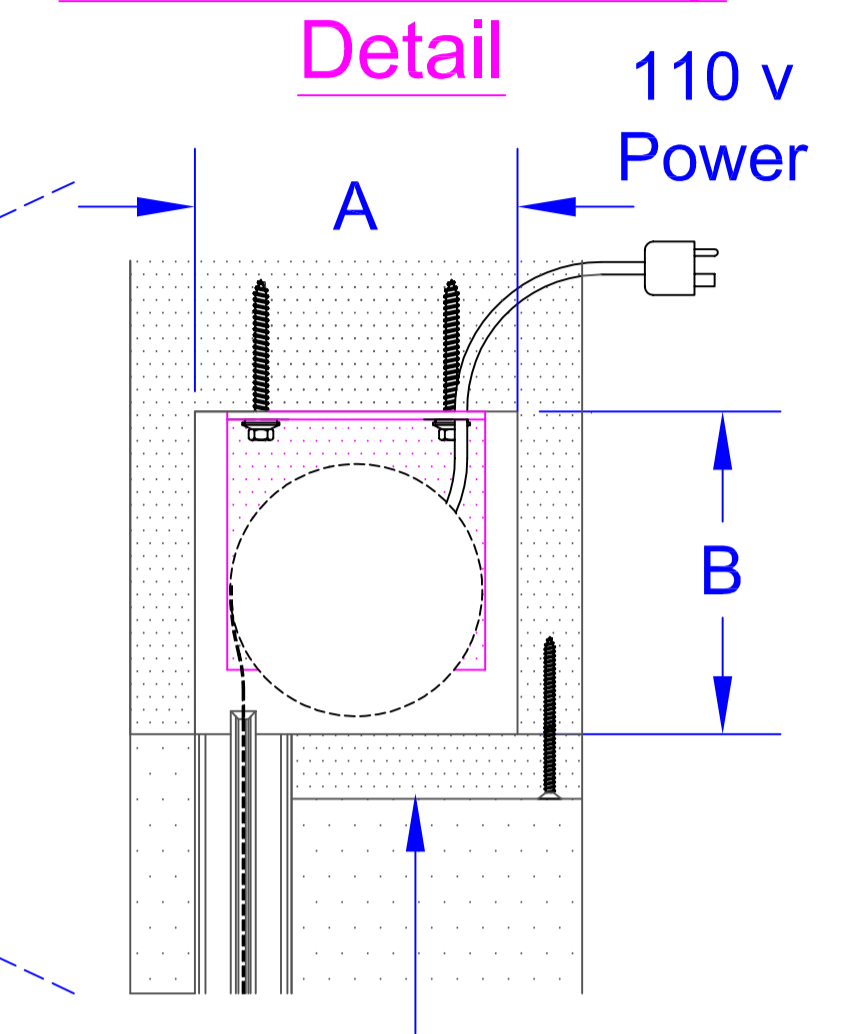
Front View



Side View



Roller Tube Cavity Detail

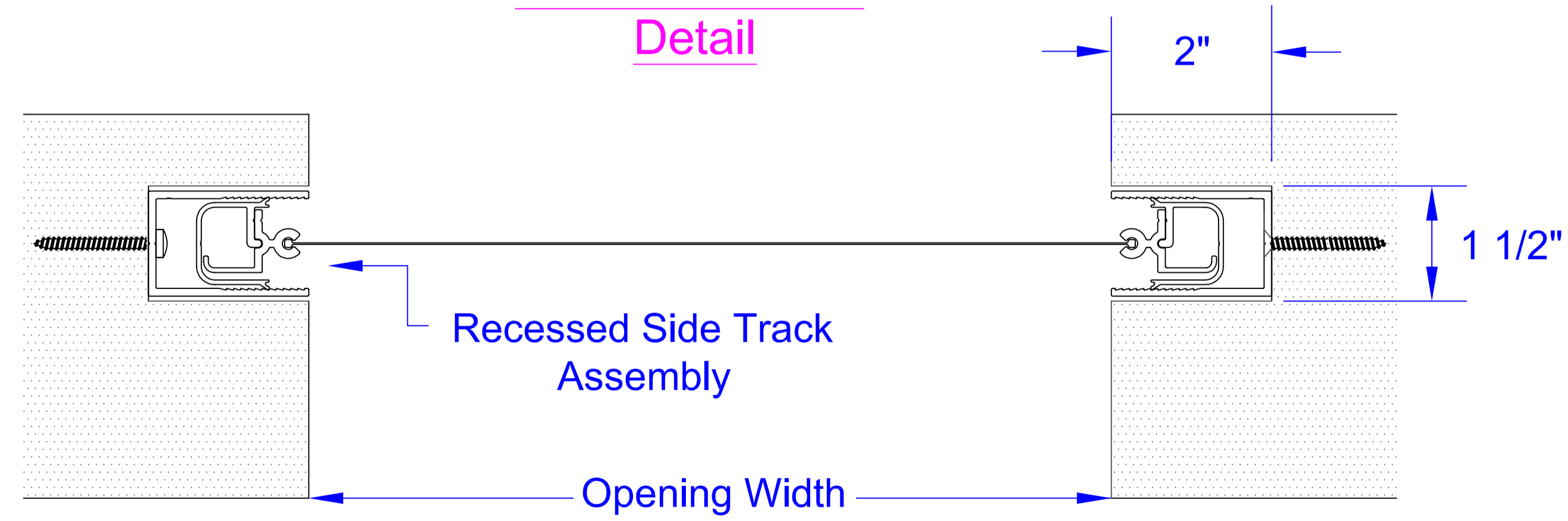


Roller Tube Cavity measurements:

A & B. = 5 1/2" for width up to 20 feet and *12 feet in height.

A. & B. = 7" for width up to 25 feet and *16 feet in height.

Recessed Track Detail



Operators

- * Single channel hand-held remote control.
- * Multi-channel hand-held remote control.



Itemref	Quantity	Title/Name, designation, material, dimension etc	Article No./Reference
Designed by Peter Siemens	Checked by PS	Approved by - date PS - 15/02/2015	Filename H-Recessed
Mirage Screen Systems			Recessed Mount
Horizon-R			Edition 1
Sheet 1/1			Scale 1:1