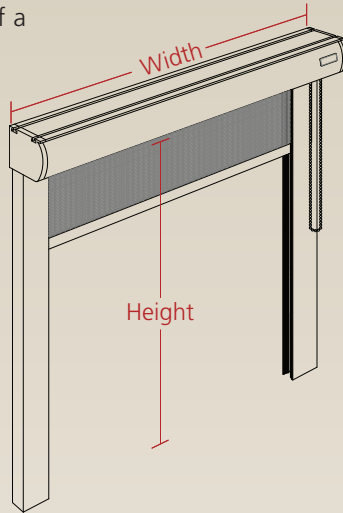


How it Works:

The Horizon 2800 consists of a low profile powder coated aluminum cassette and two side tracks that guide and protect the mesh edge as it travels up and down the opening.



The screen is raised and lowered with your choice of an economical manual chain-drive at one end of the cassette, or by a convenient electric motor operated by a hand held remote control or wall switch.



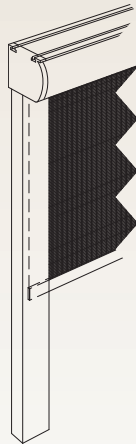
Chain Drive Operator



Electric Motor Operator

Side Track Detail

The mesh and weight bar protrude into a deep side track and resist coming out due to a specially designed pile installed along the opening of the track. Horizon works well in a light breeze, but it was not designed as a wind block and should be retracted into its cassette in windy conditions to prevent the mesh from blowing out of its tracks and from possible damage.



Warranty Overview

- ✓ Cassette, tracks, finish ~ Limited lifetime
- ✓ Motors, chain drives, electronics ~ 5 year
- ✓ Mesh and mesh components ~ Not covered

Please visit www.miragescreensystems.com to view full details of our limited lifetime warranty.

Also by Mirage

Mirage Retractable Screens

Unlike traditional swinging screen doors, the Mirage Retractable Screen is only across your door opening when you need it to be. Mirage allows maximum airflow through your door and window openings. Superior quality and custom made for your home!



Mirage Heavy Duty Motorized Screens

Residential & Commercial screening solutions! These screens fit openings as large as 25 feet wide and 16 feet high in a single unit. This heavier screen

system includes a side retention system that makes it more suitable for areas exposed to wind.

Visit www.miragescreensystems.com for details on all of our screening products or to find your local, authorized dealer.

Your Local Mirage Dealer

Mirage Retractable Screens are sold, installed and serviced by locally owned and operated businesses in your community. You can be assured of a quality installation from a dealer with a proven record and roots in your community.

Your authorized *Mirage* dealer



Cover photo courtesy of Mirage dealer Retractable Screens LLC, Chicago, IL

Mirage®

Horizon 2800



www.miragescreensystems.com

Toll Free 1.855.488.7655
www.miragescreensystems.com

Part #2911 V02 Printed in Canada

Welcome to Affordable Comfort, with Options!

The Mirage Horizon 2800 screen system offers affordable comfort by providing sun shading and protection from flying insects, within reach of most home budgets. Imagine enjoying your outdoor space more often and increasing your relaxation by simply adding the Mirage Horizon screening solution.

The Horizon is available in a variety of styles, colors and mesh types ranging from charcoal and grey insect mesh to sun-control fabrics in a number of shading densities.

Available Configurations:

Mesh Type	Color	Application	Max Height	Max Width	Shading
18x16 Fiberglass	Charcoal	Insect Protection	9ft	12ft	30%
17x17 Polyester	Charcoal	Insect Protection	8ft	10ft	55%
20x30 Fiberglass	Charcoal	Insect / Sun Control	7ft	10ft	65%
20x30 Fiberglass	Grey	Insect / Sun Control	7ft	10ft	65%

Ideal for medium sized openings, it is capable of spanning distances of up to 12 feet wide and 9 feet high. This versatile screen system can be mounted either to the underside of a beam or header or to the face of a building or beam.



Fits Your Home & Your Lifestyle

With many applications to fit your home & lifestyle:

- ✔ Single garage door openings
- ✔ Screen rooms
- ✔ Covered patios
- ✔ Lanais
- ✔ Hot tub enclosures

Improve your living space with the Mirage Horizon 2800 in many ways by keeping flying insects out of the screened area, creating shading from the sun, providing privacy from neighbors or street views and increasing ventilation in your home.

Colors

Mirage Screens feature the latest in architectural colors in decorative trends. We use the highest quality powder coated finishes to make your screen look its best for years to come.

Standard Colors



polar white



linen cream



rideau brown



midnight black

Over 25 Optional
Designer Colors



Optional Wood
Grain Finishes



Note: Colors may not appear exactly as shown

For larger openings and for screens with side retention systems that are more suitable for high wind areas, please visit the "Architects Corner" of our website at www.miragescreensystems.com to view details on motorized screens with 5 1/2" and 7" hoods.



Make better use of your outdoor living space by shading the hot sun or eliminating flying insects.